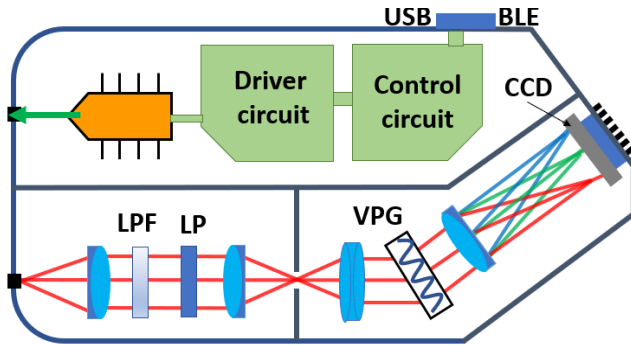


# Nano-Sized Full Raman Spectrometers: Towards the Widespread of Raman Detections



- Via Any Smartphones

- The Crimson Tide :  
Keyfob Raman:  
645nm/630nm  
Excitations



- Keyfob-Sized Raman With 785 nm,  
810 nm, and 830 nm Excitations

- Wearable Raman-Side and Top Samplings:  
Liquids, Solids and Vapors
- With Different Excitation Wavelengths

- Belt Wearable Raman: 630nm,  
645nm, 785 nm, 810 nm and  
830 nm Excitations

- Tunable Excitations  
Raman for Fluorescence  
Rectifications

- Keyfob/Watch-scale  
62 mm x 39 mm x 16 mm  
(2.5" X1.5" X0.6")



Raman Watch:785nm  
@Apple Watch size